



ZHEJIANG UNIÜ-NE Technology CO., LTD

浙江宇力微新能源科技有限公司



U6116 Data Sheet

V 1.1

版权归浙江宇力微新能源科技有限公司

General Description

U6116 is a high performance Primary Side Regulation (PSR) controller with high precision CV/CC control ideal for charger applications. The IC can also support Quasi-Resonant(QR) Buck constant current topology for LED lighting if SEL pin is short to GND. In CV mode, U6116 adopts Multi Mode Control which uses the hybrid of AM (Amplitude Modulation) mode and (Frequency Modulation) FM mode to improve system efficiency and reliability. In CC mode, the IC uses PFM control with line and load CC compensation. The IC can achieve audio noise free operation and optimized dynamic response. The built-in Cable Drop Compensation (CDC) function can provide excellent CV performance. U6116 integrates functions and protections of Under Voltage Lockout (UVLO), VDD over Voltage Protection (VDD OVP), Cycle-by-cycle Current Limiting (OCP), Short Load Protection (SLP), Gate Clamping, and VDD Clamping.

Applications

- Battery Chargers for Cellular Phones
- AC/DC Power Adapter
- LED Drivers

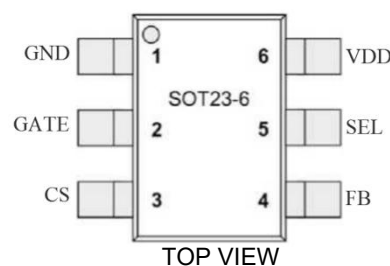
Pin Configuration

Pin Number	Pin Name	Function
1	GND	The Ground of the IC
2	GATE	Gate Driver for External MOSFET Switch
3	CS	Current Sense Input Pin
4	FB	System feedback pin which regulates both the output voltage in CV mode and output current in CC mode based on the flyback voltage of the auxiliary winding
5	SEL	Select Buck or Flyback configuration. Leave this pin floating for Flyback PSR control, while tying to GND for QR-Buck control
6	VDD	Power Supply Pin of the Chip

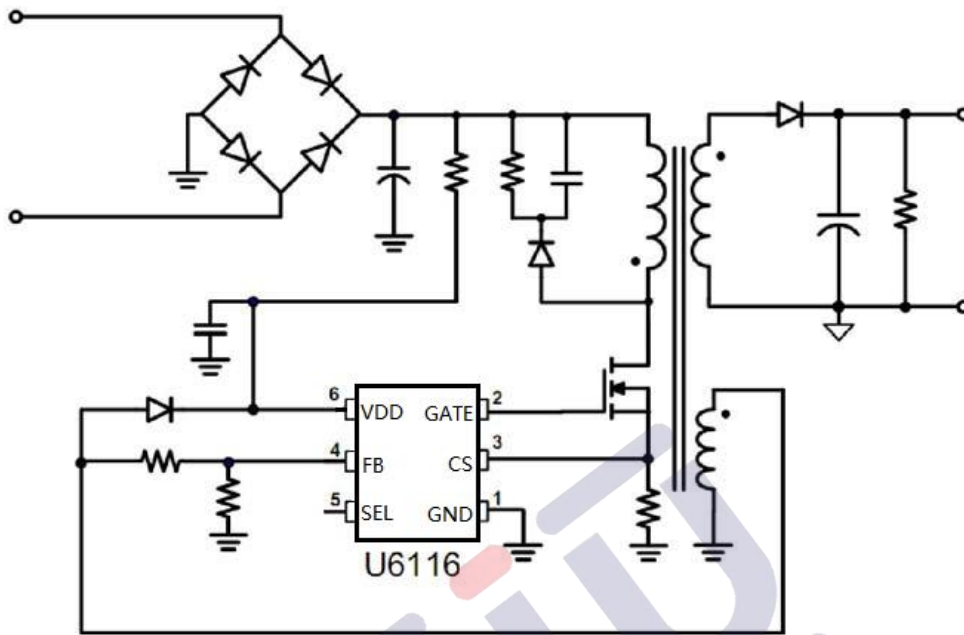
Key Features

- Support Flyback and Buck Topology:
 - Flyback PSR Control (SEL= Floating)
 - QR-Buck CC Control (SEL= GND)
- Multi Mode PSR Control
- Audio Noise Free Operation for PSR
- Optimized Dynamic Response for PSR
- Low Standby Power <70mW
- $\pm 4\%$ CC and CV Regulation
- Programmable Cable Drop Compensation: (CDC) in PSR CV Mode
- Built-in AC Line & Load CC Compensation
- Build in Protections:
 - Short Load Protection (SLP)
 - On-Chip Thermal Shutdown (OTP)
 - Cycle-by-Cycle Current Limiting
 - Leading Edge Blanking (LEB)
 - Pin Floating Protection
- VDD UVLO OVP & Clamp
- Package (SOT23-6)

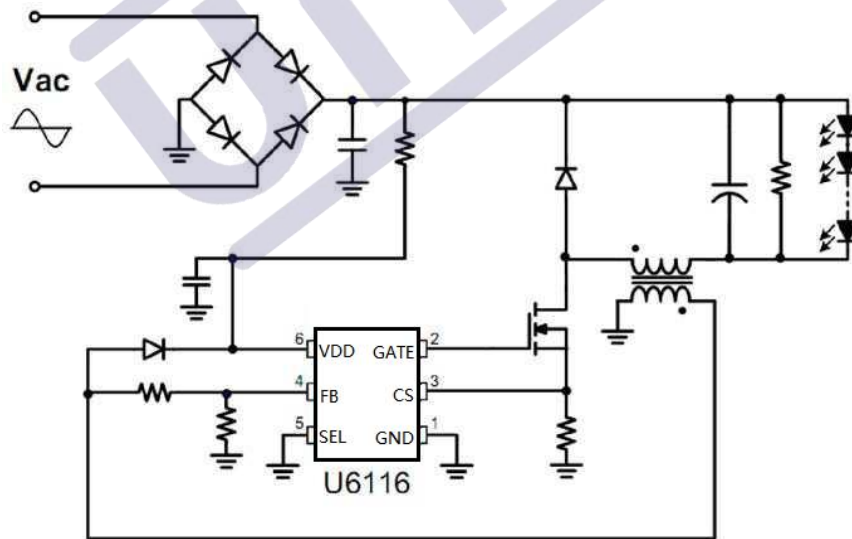
Package Information



Typical Application Circuit



(Charger Application)



(LED Lighting Application)

1.版本记录

DATE	REV.	DESCRIPTION
2018/04/19	1.0	First Release
2021/11/10	1.1	Layout adjustment

2.免责声明

浙江宇力微新能源科技有限公司保留对本文档的更改和解释权力，不另行通知！客户在下单前应获取我司最新版本资料，并验证相关信息是否最新和完整。量产方案需使用方自行验证并自担所有批量风险责任。未经我司授权，该文件不得私自复制和修改。产品不断提升，以追求高品质、稳定性强、可靠性高、环保、节能、高效为目标，我司将竭诚为客户提供性价比高的系统开发方案、技术支持等更优秀的服务。

版权所有 浙江宇力微新能源科技有限公司/绍兴宇力半导体有限公司

3.联系我们

浙江宇力微新能源科技有限公司

总部地址：绍兴市越城区斗门街道袍渎路25号中节能科创园45幢4/5楼

电话：0575-85087896（研发部）

传真：0575-88125157

E-mail: htw@uni-semic.com

无锡地址：无锡市锡山区先锋中路6号中国电子（无锡）数字芯城1#综合楼503室

电话：0510-85297939

E-mail: zh@uni-semic.com

深圳地址：深深圳市宝安区西乡街道南昌社区宝源路泳辉国际商务大厦410

电话：0755-84510976

E-mail: htw@uni-semic.com