



ZHEJIANG UNIÜ-NE Technology CO., LTD

浙江宇力微新能源科技有限公司



U6119S/SA/SC Data Sheet

V 3.2

版权归浙江宇力微新能源科技有限公司

DC-DC CONVERTER CONTROL CIRCUITS

General Description

The U6119S/SA/SC series is a monolithic control circuit delivering the main functions for DC-DC voltage converting.

The device contains an internal temperature compensated reference, comparator, duty cycle controlled oscillator with an active current limit circuit, driver and high current output switch. Output voltage is ADJ Vol, NO-integrated two external resistors with a 2% reference accuracy.

Employing a minimum number of external components the U6119S/SA/SC devices series is designed for Step-Down applications.

Packages



Key Features

- VIN 200V/100V MOS
- Output Switch ADJ
- 2% Reference Accuracy
- Low Quiescent Current:15μA(TYP.)
- Out MOSFET Frequency Operation To 200KHZ
- Active Current Limiting
- Support Flyback and Buck Topology QR-Buck CC Control (SEL=GND)
- Low Standby Power < 70mW
- Programmable Cable Drop Compensation:(CDC) in PSR CV Mode
- Built-in AC Line & Load CC Compensation
- Built in Protections:
 - Short Load Protection(SLP)
 - On-Chip Thermal Shutdown(OTP)
 - Cycle-by-Cycle Current Limiting
 - Leading Edge Blanking(LEB)
 - Pin Floating Protecting
- VDD UVLO OVP & Clamp
- Package(SOP7)

Applications

- Electric-Vehicle, E lectric-Bicycle
- Apliance
- Industry Controls

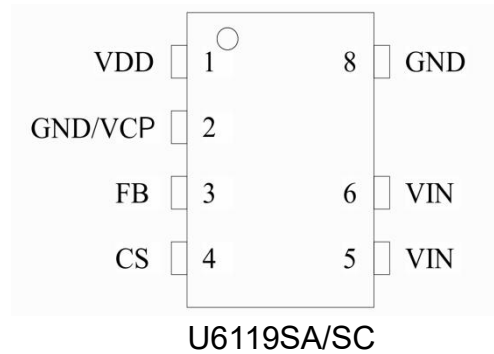
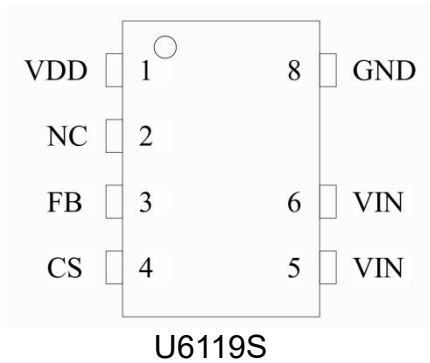
Products Information

Base Part Number	Package Type	Rsdon		V _{OFFSET}
		Min(ohm)	Max(ohm)	
U6119S	SOP7	0.75	0.85	200V
U6119SA	SOP7	0.1	0.15	100V
U6119SC	SOP7	0.1	0.15	100V

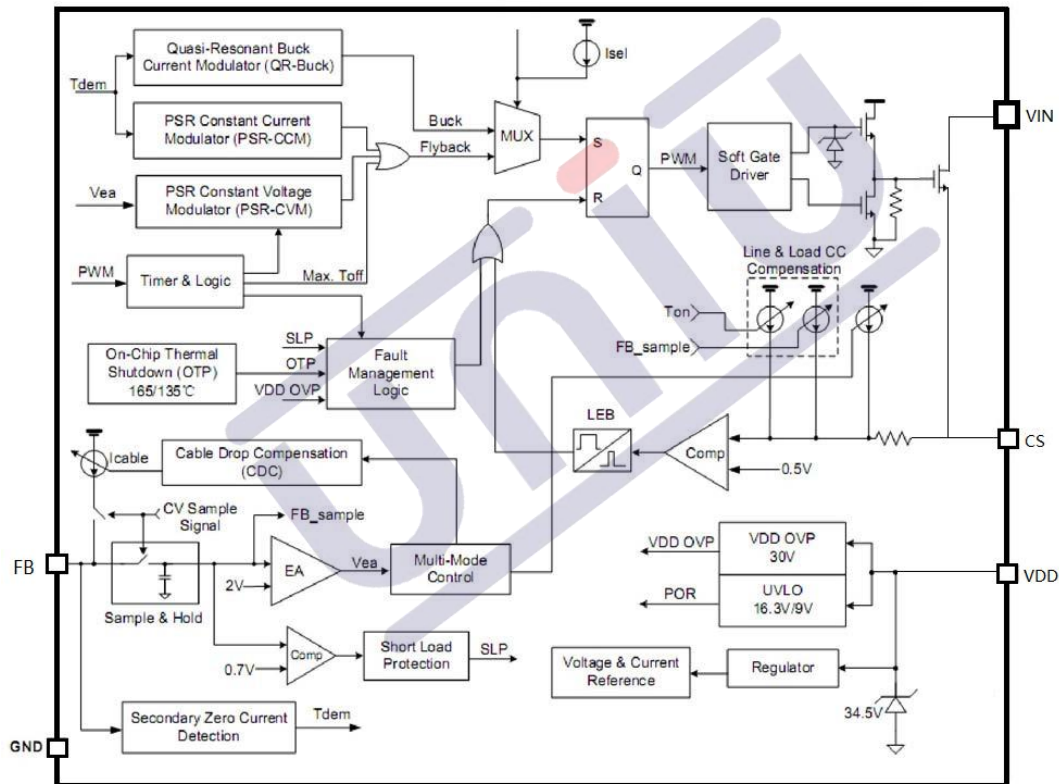
Order Information

Number	DESCRIPTION
U6119SC	SOP-7, Halogen-free, Tape & Reel , 3000Pcs/Reel
U6119S/SA	SOP-7, Halogen-free、Tape & Reel , 3000Pcs/Reel

Pin Configuration



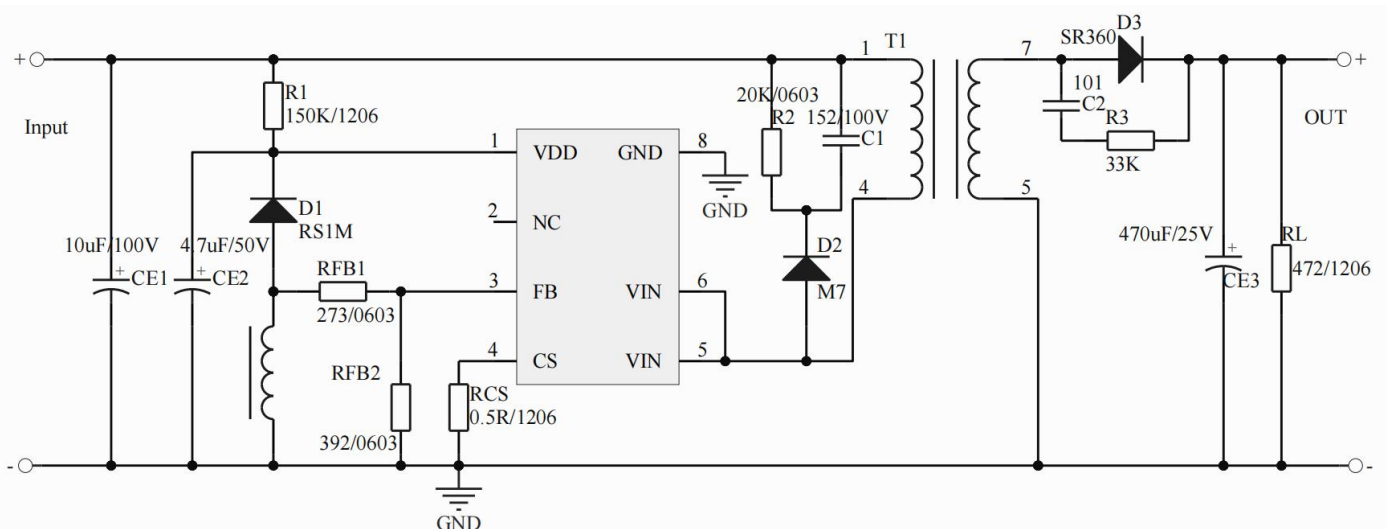
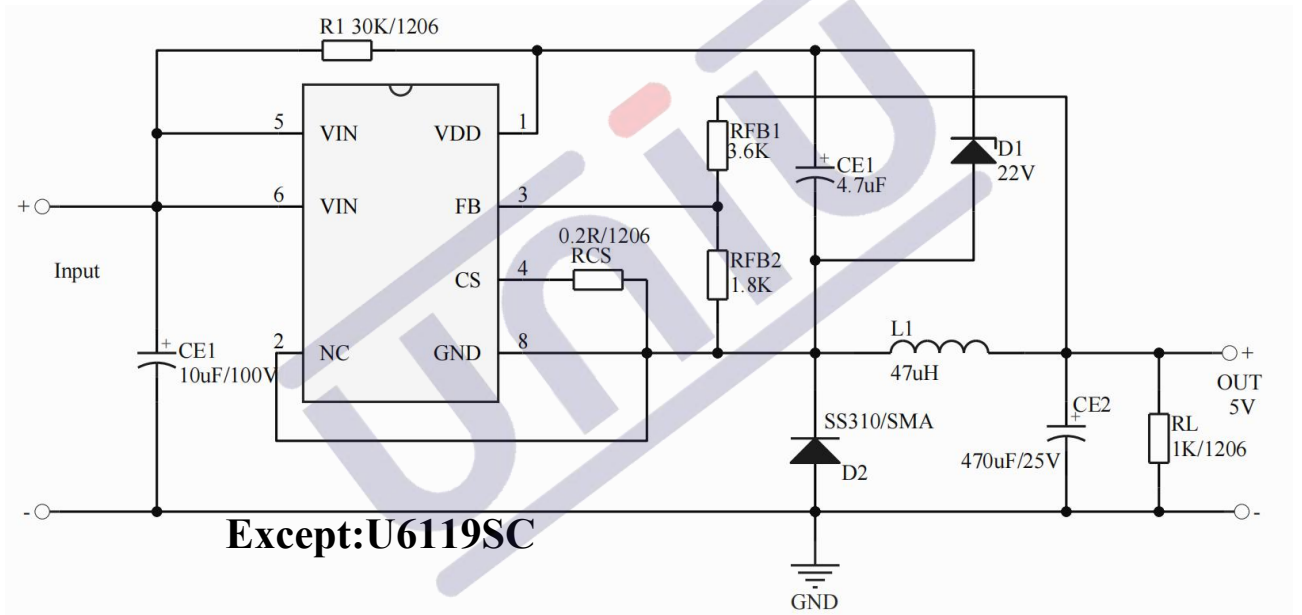
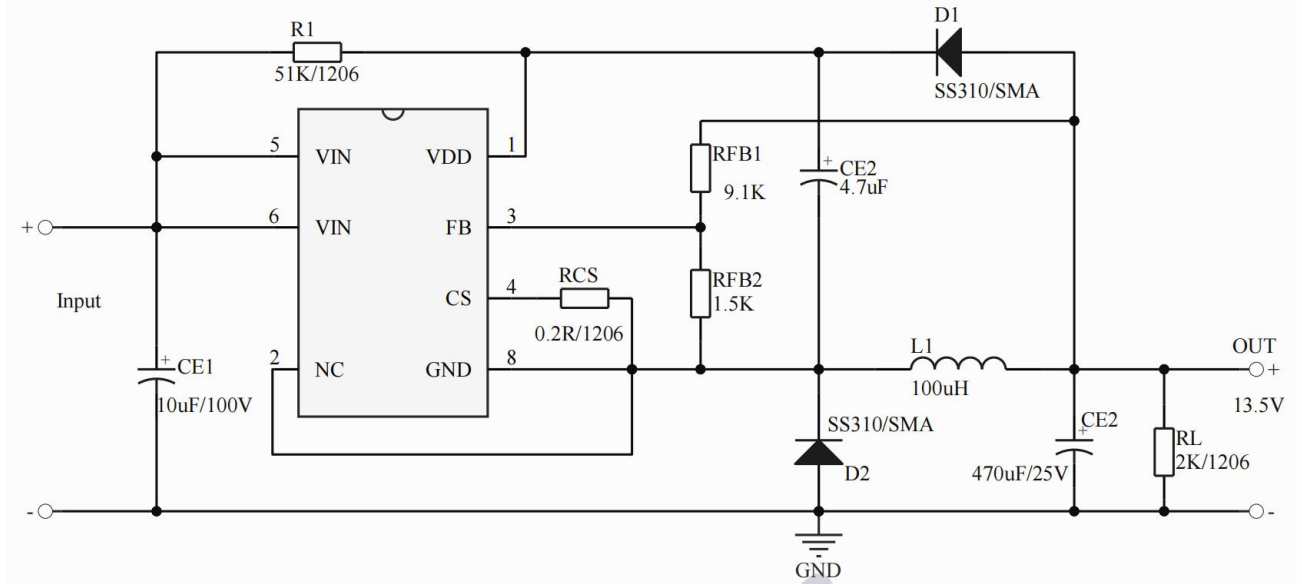
Block Diagram



Pin Description

Pin Num	Pin Name	I/O	Description
1	VDD	P	Power Supply
3	FB	I	The voltage feedback
4	CS	I	Current sense input
5,6	VIN	O	HV VIN Pin.
7	GND	P	Ground
2		P	U6119S:NC U6119SA/SC:GND/VCP

Typical Application Circuit



1.版本记录

DATE	REV.	DESCRIPTION
2018/04/19	1.0	First Release
2019/05/21	2.0	Change the package
2020/06/18	3.0	Change the header
2021/10/22	3.2	Layout adjustment

2.免责声明

浙江宇力微新能源科技有限公司保留对本文档的更改和解释权力，不另行通知！产品不断提升，以追求高品质、稳定性强、可靠性高、环保、节能、高效为目标，我司将竭诚为客户提供性价比高的系统开发方案、技术支持等更优秀的服务。量产方案需使用方自行验证并自担所有批量风险责任。未经我司授权，该文件不得私自复制和修改。

版权所有 浙江宇力微新能源科技有限公司/绍兴宇力半导体有限公司

3.联系我们

浙江宇力微新能源科技有限公司

总部地址：绍兴市越城区斗门街道袍渎路25号中节能科创园45幢4/5楼

电话：0575-85087896（研发部）

传真：0575-88125157

E-mail: htw@uni-semic.com

无锡地址：无锡市新吴区纺城大道299号深港都会广场9-1401

电话：0510-85297939

E-mail: zh@uni-semic.com

深圳地址：深圳市宝安区航城街道三围社区南昌路上合工业园B2栋501

电话：0755-84510976

E-mail: htw@uni-semic.com