



UNIU-NE Technology CO., LTD

浙江宇力微新能源科技有限公司



## U2103/6 Data Sheet

V 1.1

版权归浙江宇力微新能源科技有限公司

# High Current IO+/- 0.5/0.8A HALF-BRIDGE DRIVER

## General Description

The U2103/U2106 Fully operated to +600V is high voltage, high speed power MOSFET and IGBT driver with dependent high and low side referenced output channels.

The logic input is compatible with standard CMOS or LSTTL output, down to 3.3V logic. The output drivers feature a high pulse current buffer stage designed for minimum driver cross-conduction. The floating channel can be used to drive an N-channel power MOSFET or IGBT in the high side configuration which operates up to 600 volts.

## Product Summary

V <sub>OFFSET</sub>	600V max
I <sub>O+/-</sub>	0.5A / 0.8A
V <sub>OUT</sub>	9V ~ 21V
ton/off (typ.)	680/320 & 120/260ns
Deadtime (typ.)	560 & 50ns
Work Tem	-40 ~ 150 °C

## Products Information

Base Part Number	Package Type	Standard OUT		V <sub>OFFSET</sub>	Logic Control
		IO+	IO-		
U2103	SOP8	0.5A	0.8A	600V	HIN & $\overline{\text{LIN}}$
U2106	SOP8	0.5A	0.8A	600V	HIN & LIN

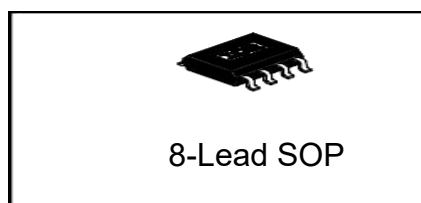
## Key Features

- Floating channel designed for bootstrap operation
- Fully operational to +600V
- Tolerant to negative transient voltage dV/dt immune
- Gate drive supply range from 9 to 21V
- Undervoltage lockout
- 3.3V, 5V and 15V input logic compatible
- Cross-conduction prevention logic
- Matched propagation delay for both channels

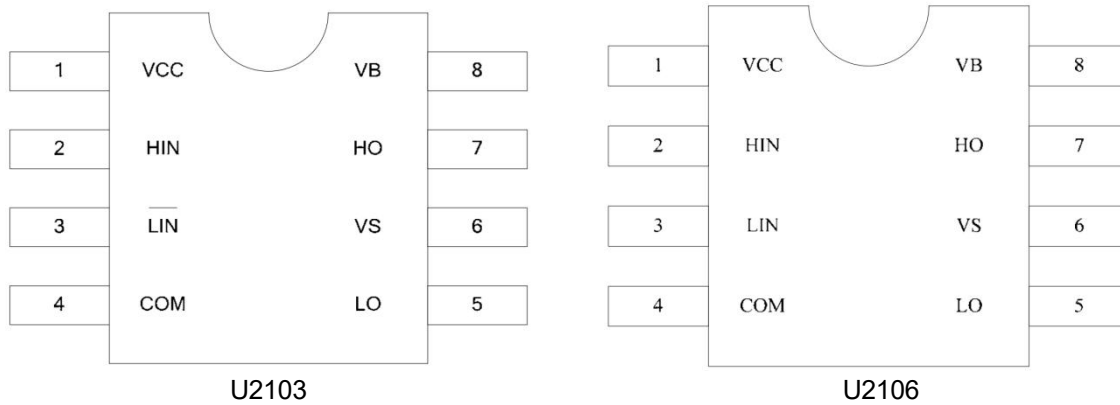
## Applications

- Home appliances
- Industrial applications and drives
- Motor drivers
- DC- AC Converter, PMDC and PMAC motors
- Induction heating
- HVAC

## Packages



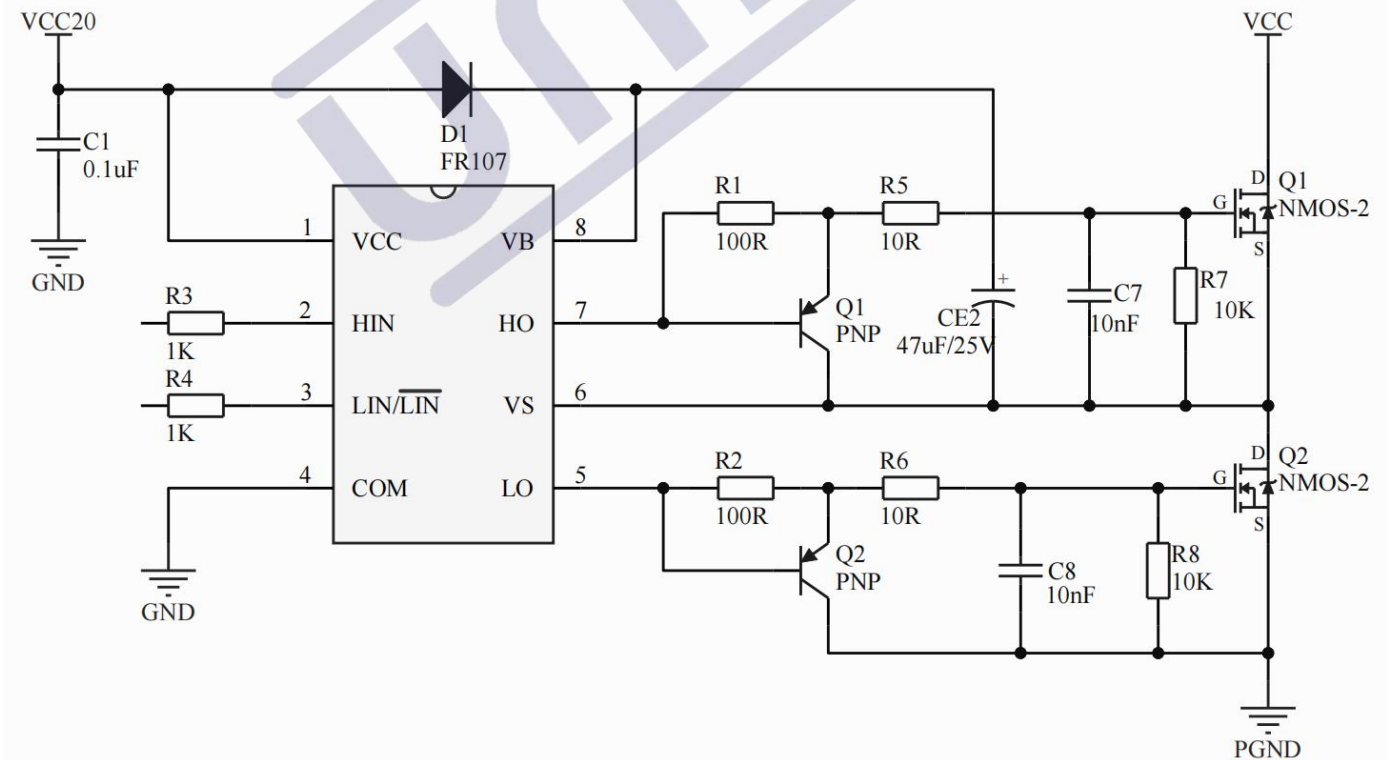
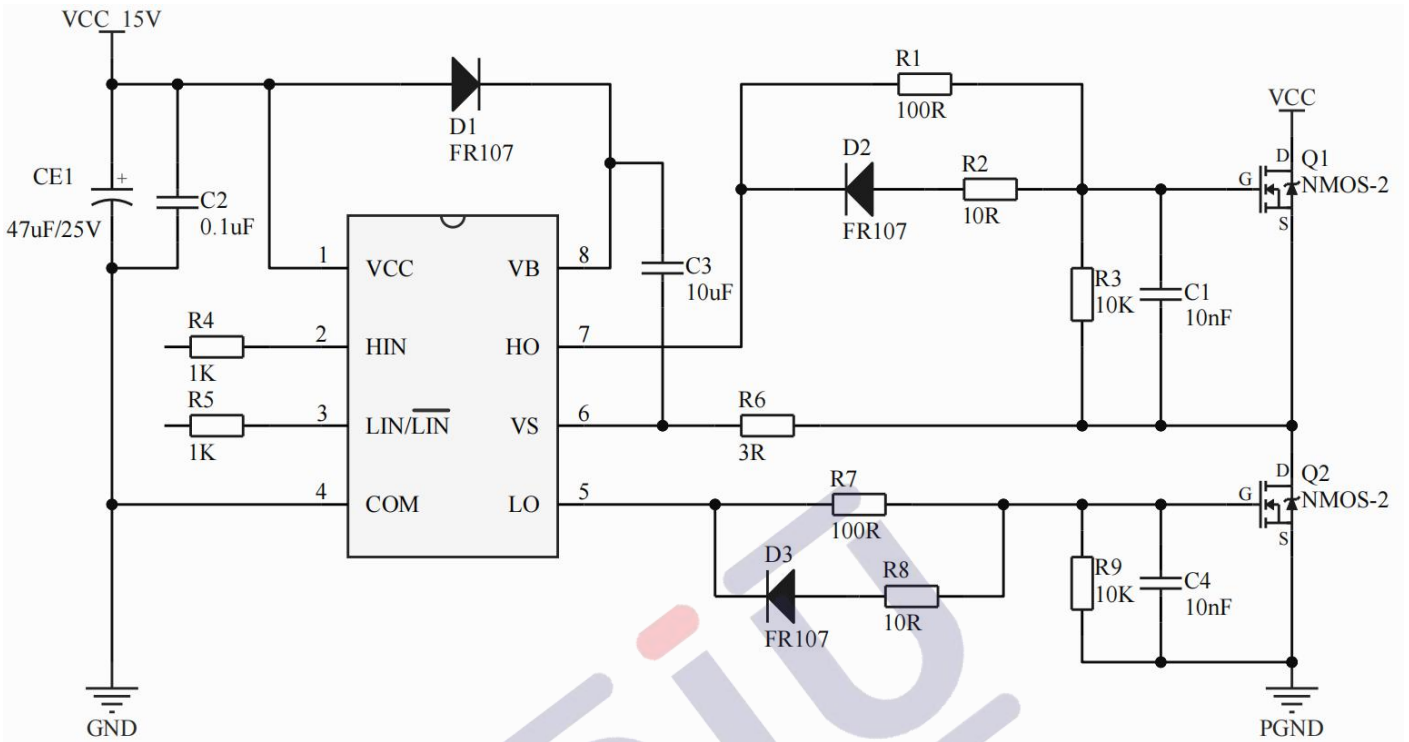
## Pin Assignments



## Pin Function

Number	Symbol	Description
1	VCC	Low side and logic fixed supply
2	HIN	Logic input for high side gate driver outputs (HO), in phase
3	LIN	Logic input for low side gate driver outputs (LO), in phase
	$\overline{\text{LIN}}$	Logic input for low side gate driver outputs (LO), out of phase
4	COM	Low side return
5	LO	Low side gate drive output
6	VS	High side floating supply return
7	HO	High side gate drive output
8	VB	High side floating supply

### Typical Connection



Much Big POWER application

## 1.版本记录

DATE	REV.	DESCRIPTION
2018/04/19	1.0	First Release
2020/05/21	1.1	Change the package

## 2.免责声明

浙江宇力微新能源科技有限公司保留对本文档的更改和解释权力，不另行通知！产品不断提升，以追求高品质、稳定性强、可靠性高、环保、节能、高效为目标，我司将竭诚为客户提供性价比高的系统开发方案、技术支持等更优秀的服务。量产方案需使用方自行验证并自担所有批量风险责任。未经我司授权，该文件不得私自复制和修改。

版权所有 浙江宇力微新能源科技有限公司/绍兴宇力半导体有限公司

## 3.联系我们

浙江宇力微新能源科技有限公司

总部地址：绍兴市越城区斗门街道袍渚路25号中节能科创园45幢4/5楼

电话：0575-85087896（研发部）

传真：0575-88125157

E-mail: htw@uni-semic.com

无锡地址：无锡市新吴区纺城大道299号深港都会广场9-1401

电话：0510-85297939

E-mail: zh@uni-semic.com

深圳地址：深圳市宝安区航城街道三围社区南昌路上合工业园B2栋501

电话：0755-84510976

E-mail: htw@uni-semic.com